

Proven actuator technology New fields of application

EA-L/S-A - Slit Actuator for outward opening wings



EA-L/S-A – Slit Actuator for outward

Proven and tested actuator technology

The Slit Actuator with its moving mechanism being covered by patents sets new standards in the field of electrical operated inwards and now as well **outwards** opening wings. Even at low stroke lengths wide opening angles can be achieved. The integrated electronics cares about the load dependent cut-off as well as about the electronic torque balancing by comparison of current consumption to force progressing. The Slit Actuator provides a temperature resistance of 30 Minutes at 300 °C according to EN 12101-2.

Fields of Application

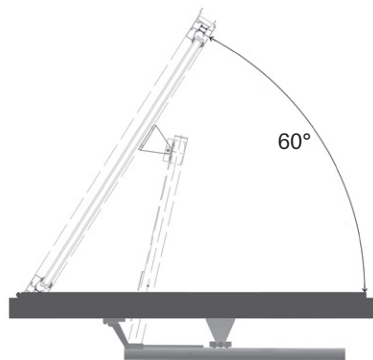
With very less space requirements to inside (overall max. 120mm) very huge opening angles up to 60°C or more can be achieved at side, top and bottom hung wings in solo, tandem or synchronous version.

After technical approval the Slit

Actuator is applicable for

- central pivot and
- center turn wings.

Recommended is also the combination with an electrical locking mechanism type ZVE-UNI (Part No. B5 6101) to lock the window in closed position adequately.



Technical Details: EA-L/S-A

Nominal voltage	24 V DC
Nominal current	< 1,2 A
Stroke length	185 / 285 mm
Force	500 N
Speed	8,4 mm/s
Cut-Off	Intelligent load cut-off
More features	Electronical torque balancing and retriggering blockade
Protection class	IP 20
Switch on duration	ED 30 %
Temperature range	- 5 up to + 75 °C
Temperature resistance	30 min at 300 °C
Weight	approx. 3 kg
Housing	Anodized aluminium pipe E6/EV1 with integrated bracket fixture
Dimensions	Length: 284 mm + Stroke + 20 mm (cable and connectors)

Available product versions

M2 1761	Type EA-L/S-A-500/200-02
M2 1760	Type EA-L/S-A-500/300-02
as well as T (Tandem), S (Synchro) and PS (ProSense)	

Application example



SIMON RWA Systeme GmbH | Medienstraße 8 | D - 94036 Passau
Tel: + 49 851 98870 - 0 | Fax: + 49 851 98870-70 | E-Mail: info@simon-rwa.de | Internet: www.simon-rwa.de



SIMON RWA Systeme AG
Allmendstrasse 8
CH - 8320 Fehraltorf
Tel: + 41 44 956 50 30
Fax: + 41 44 956 50 40
E-Mail: info@simon-rwa.ch
Internet: www.simon-rwa.ch



SIMON RWA Systeme GmbH
Aumühlweg 21 / Ared Park TOP 313/414
A - 2544 Leobersdorf
Tel: + 43 2256 64001
Fax: + 43 2256 64070
E-Mail: info@simon-rwa.at
Internet: www.simon-rwa.at

